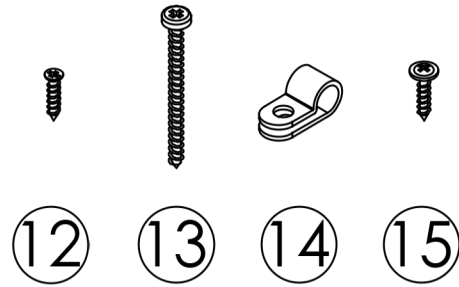
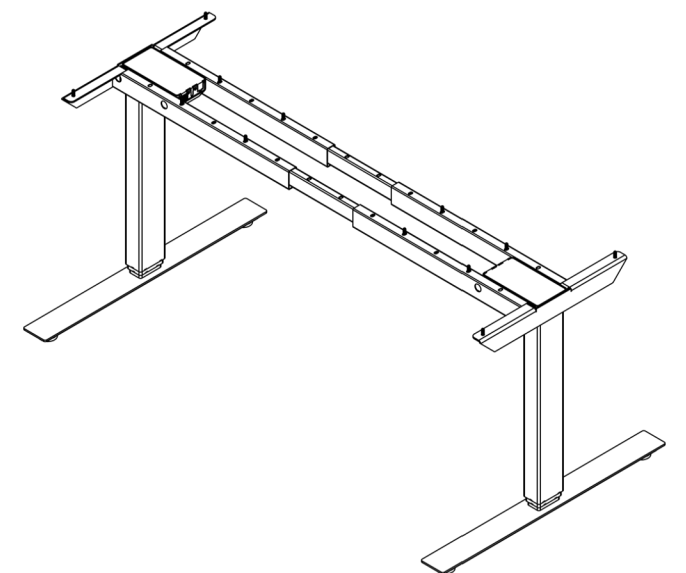
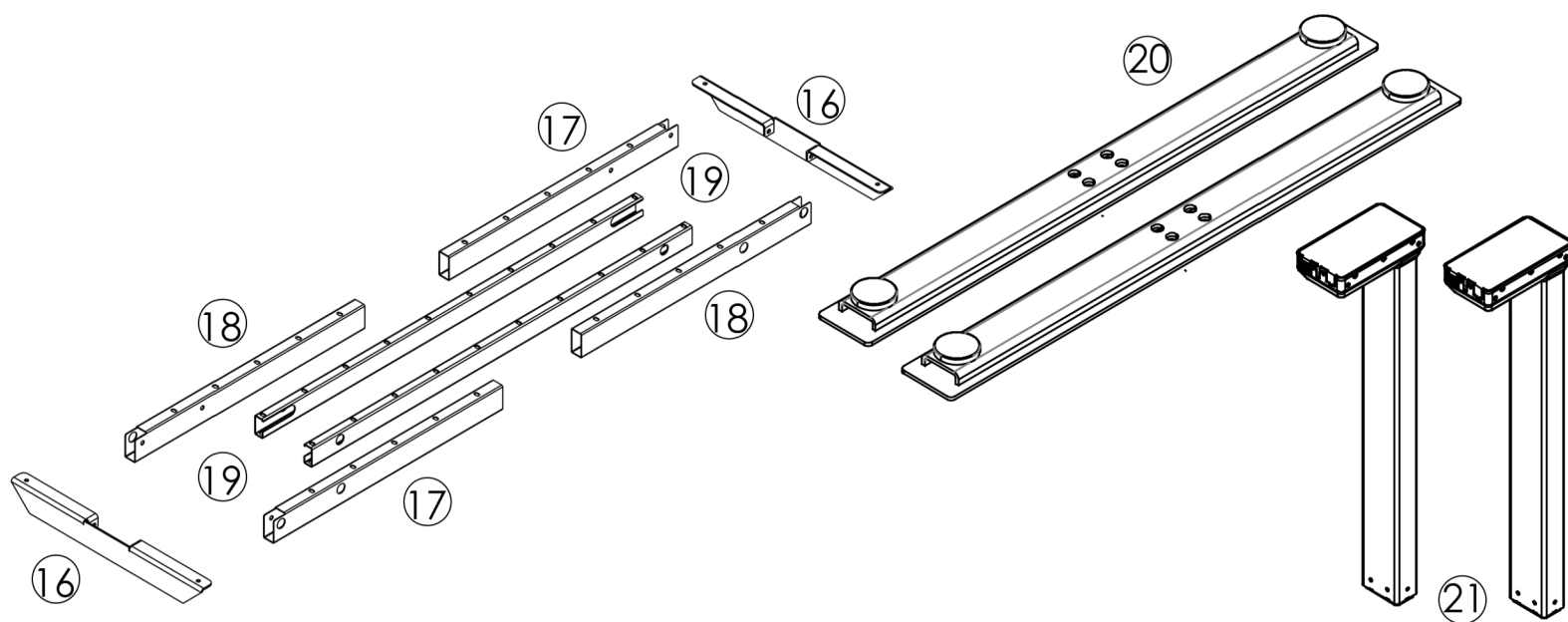
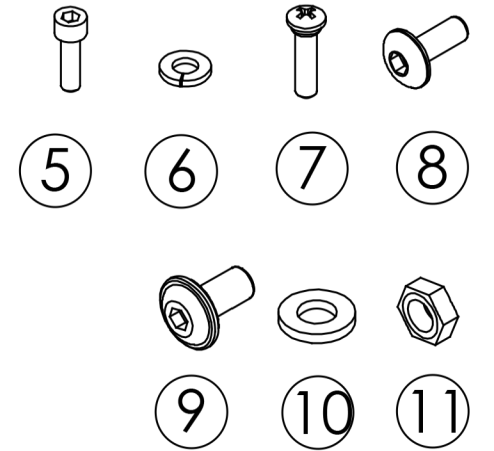


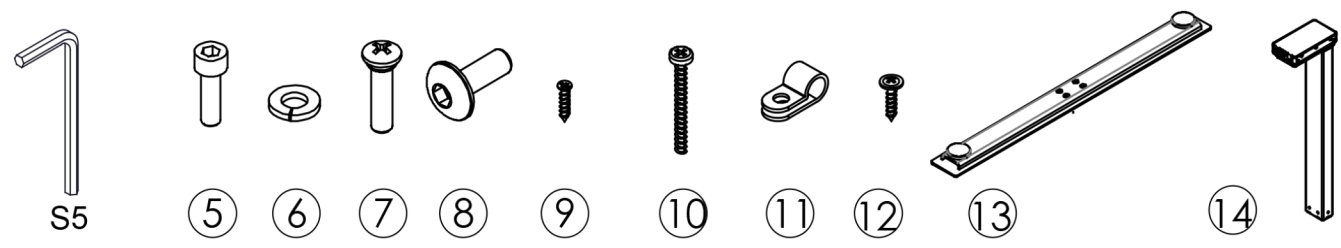
Control box "CB" + main cable + control + motor cables



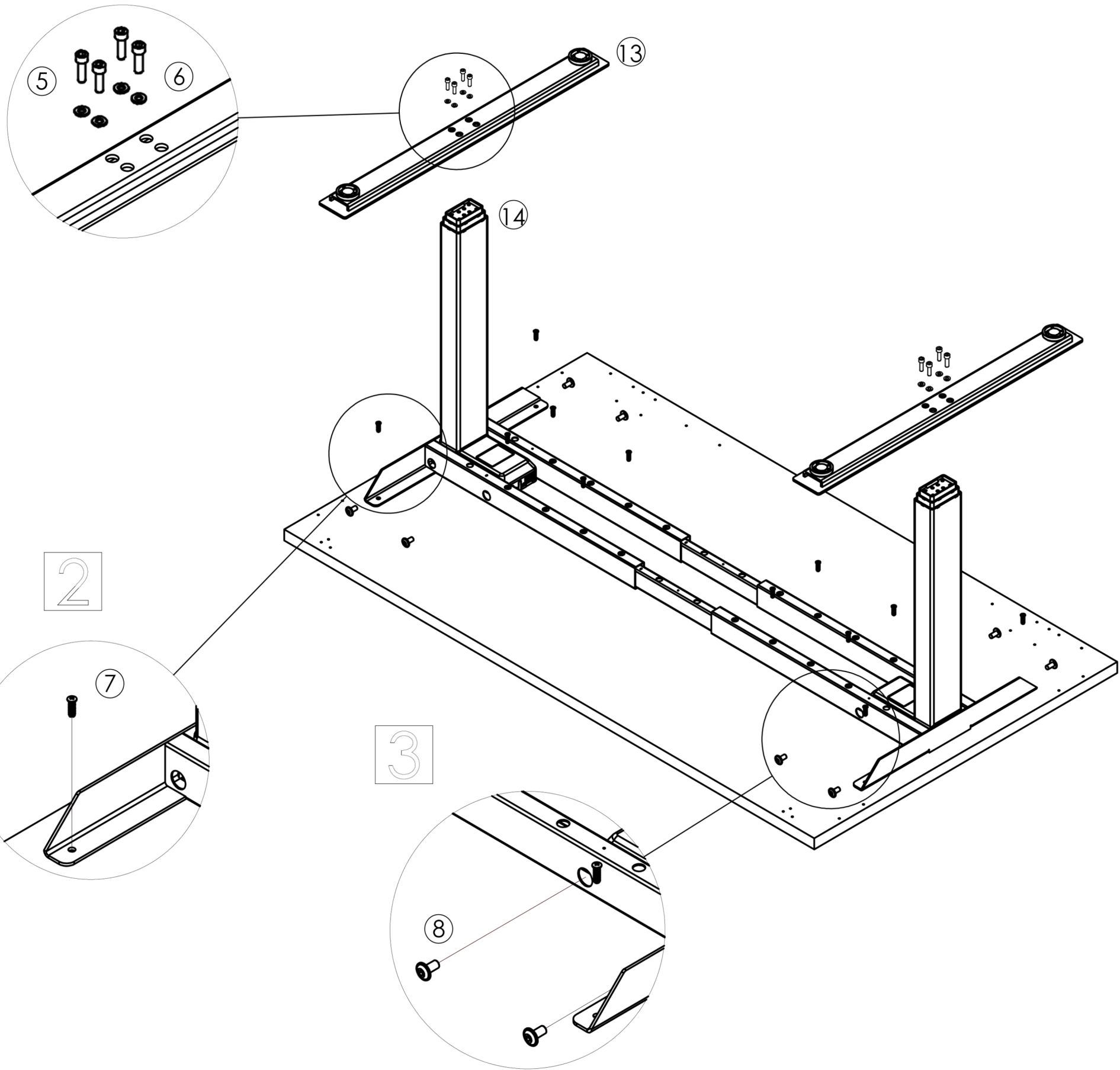
(12) 3.5x17 for control units
(13) 4.0x50 for control box
(14)+(15) 4.5x20 for cable management under the desktop

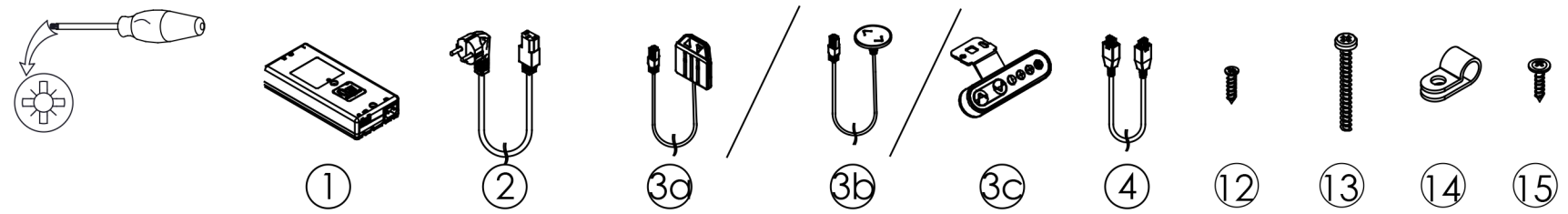
(5) M6x16 +(6) for pad assembly
(7) M6,3x19 for desktop attachment
(8) M6x12 for column and frame assembly
(9) M8x16+(10) Ø 8.4+(11) M8 for frame assembly





1





A) Using woodscrews (13) attach CB to desktop. Column cable (4) connect to CB via ports "1" or "2".
 B) Control (3) should be attached with woodscrews (12). Control should be connect to CB via port "A1" or "A2".
 C) Manage cables with clips (13) and woodscrews (14).
 Connect main cable to port "AC"

