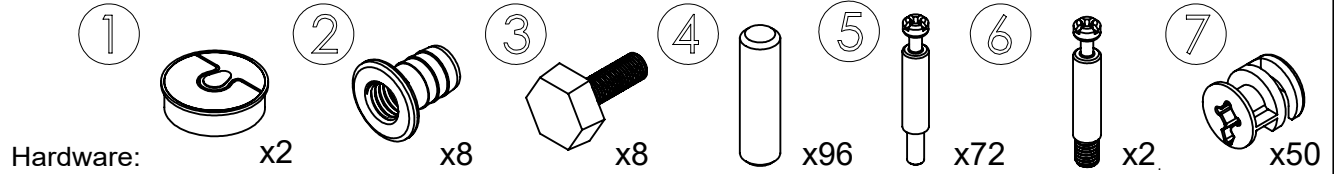
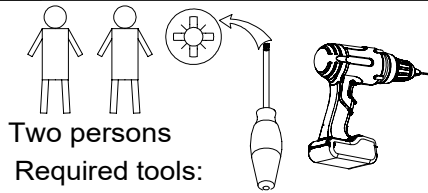
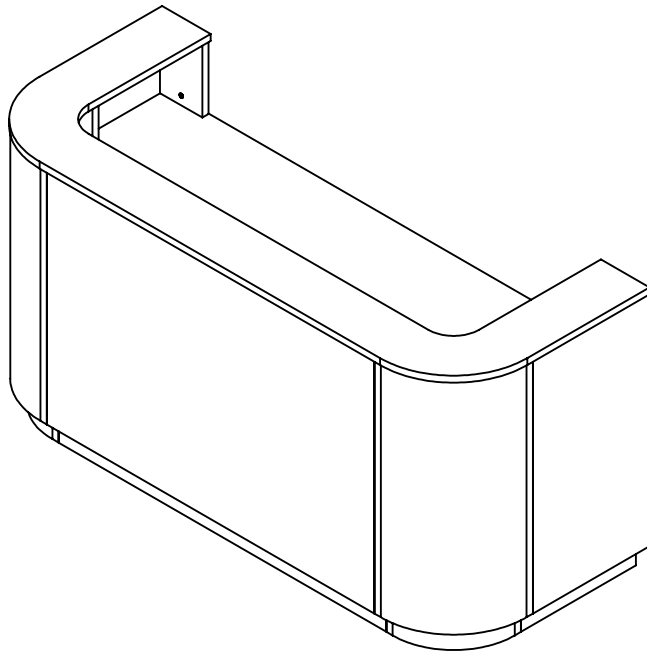


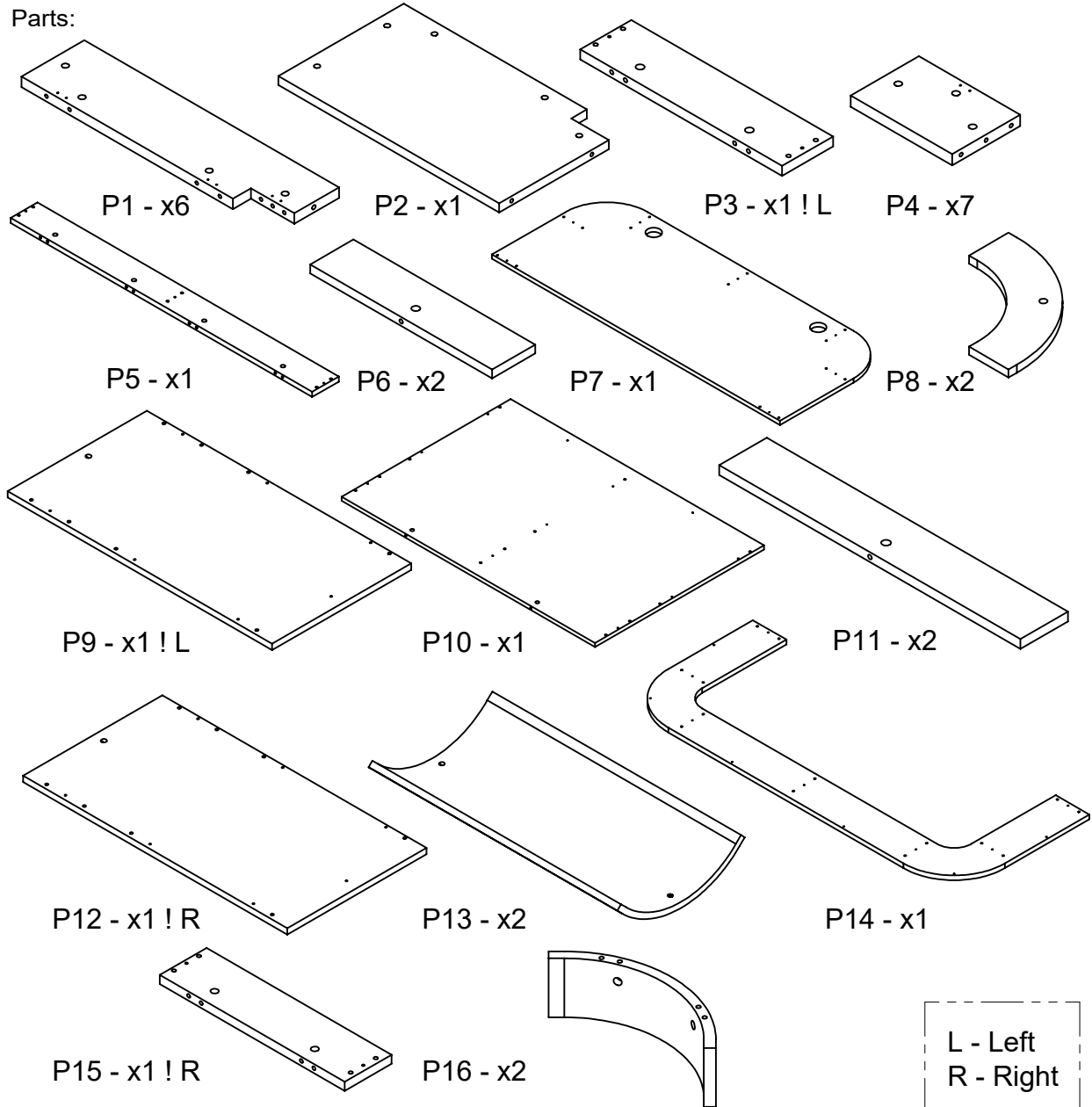
Assembling scheme



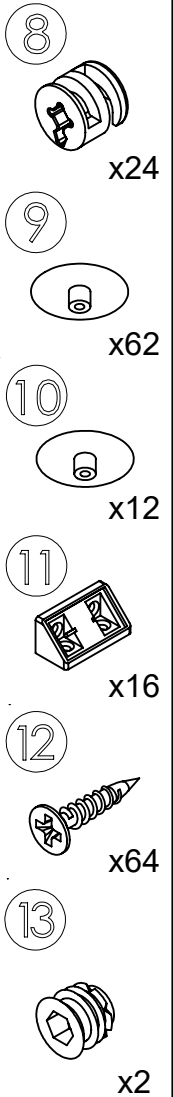
Product:

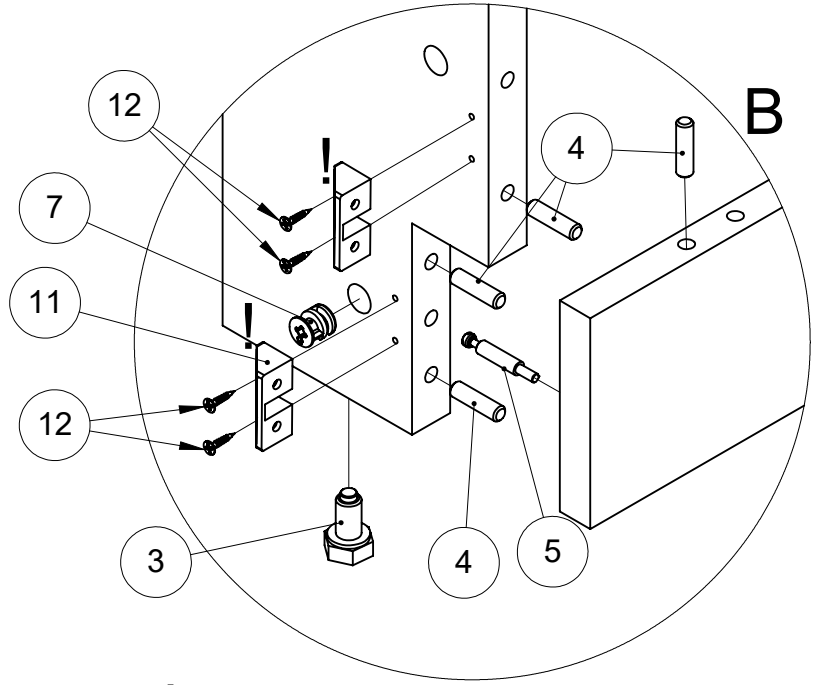
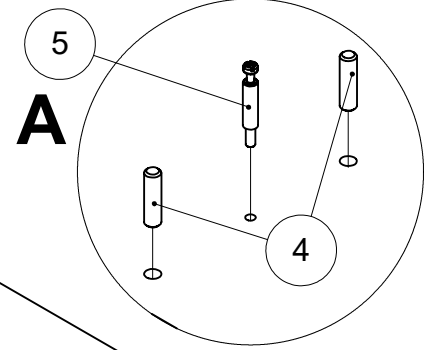
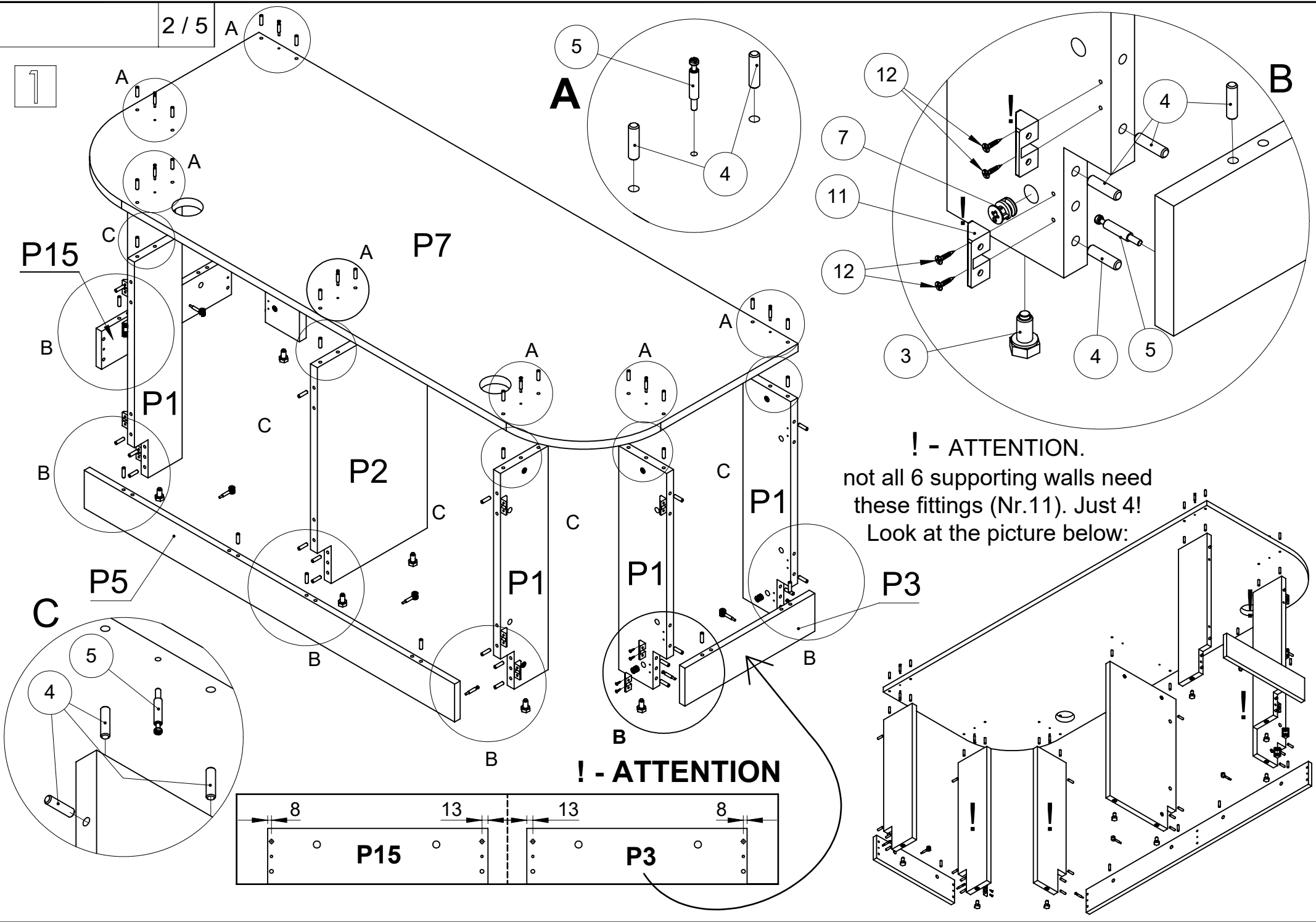


Parts:

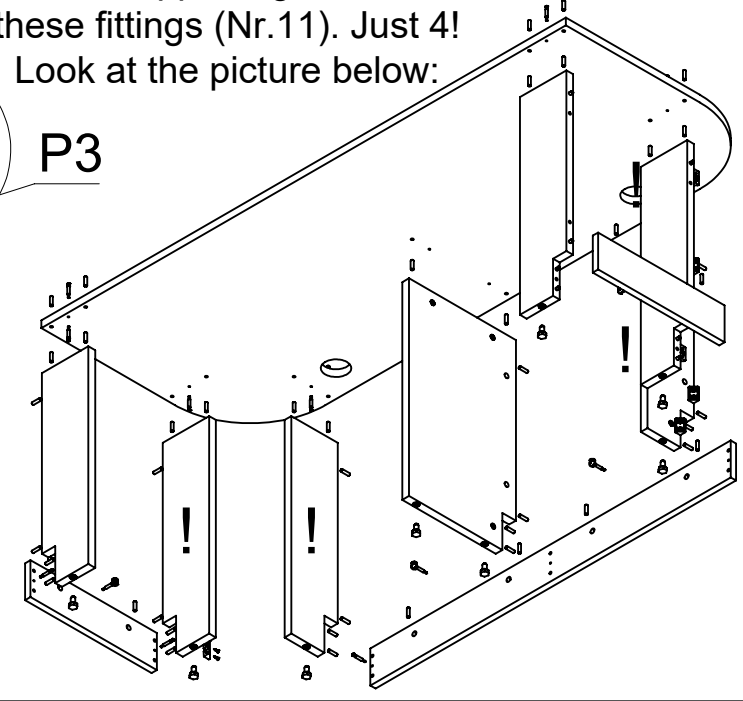


L - Left  
R - Right

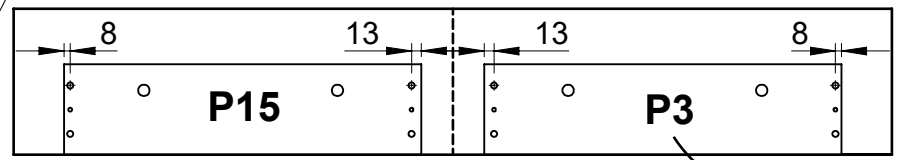




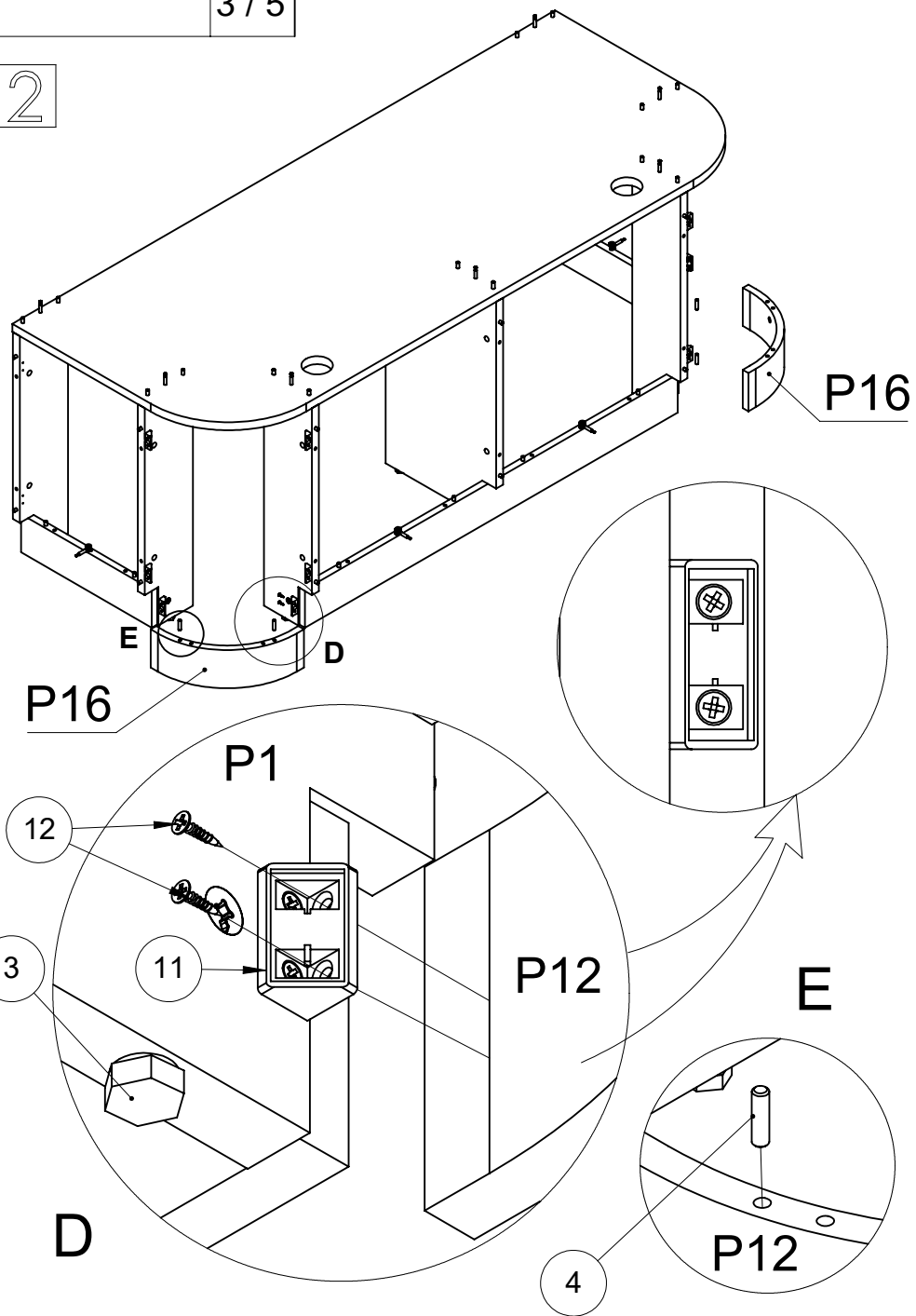
**! - ATTENTION.**  
 not all 6 supporting walls need  
 these fittings (Nr.11). Just 4!  
 Look at the picture below:



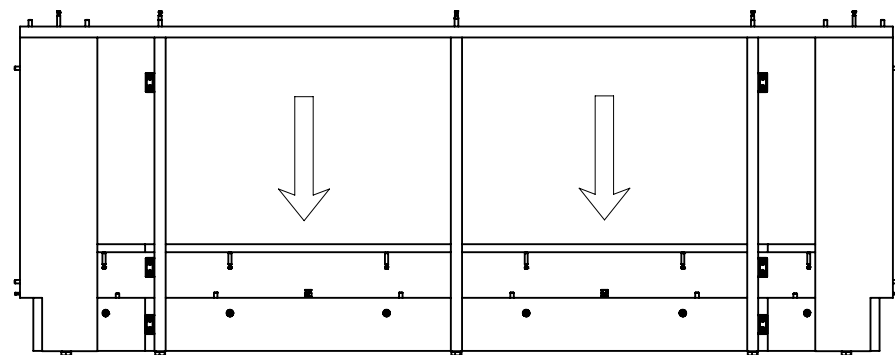
**! - ATTENTION**



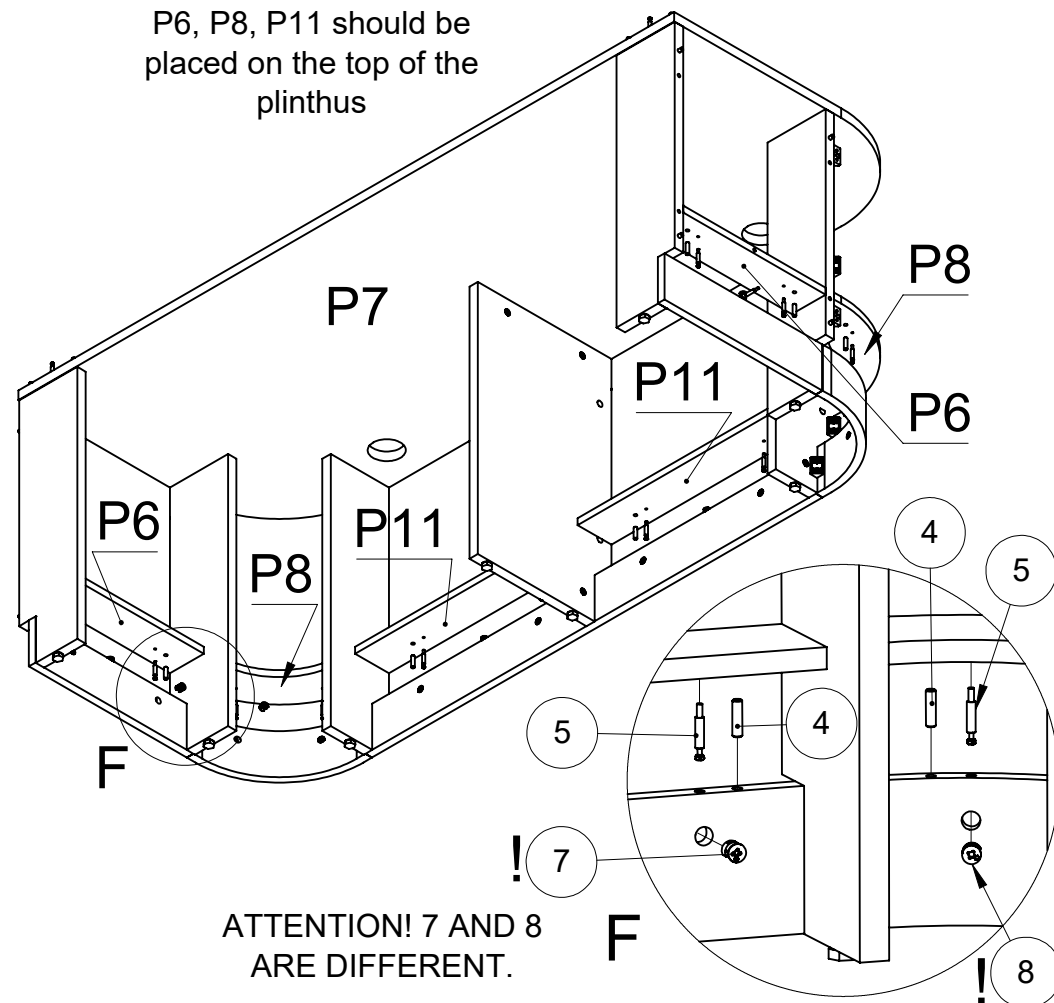
2



3



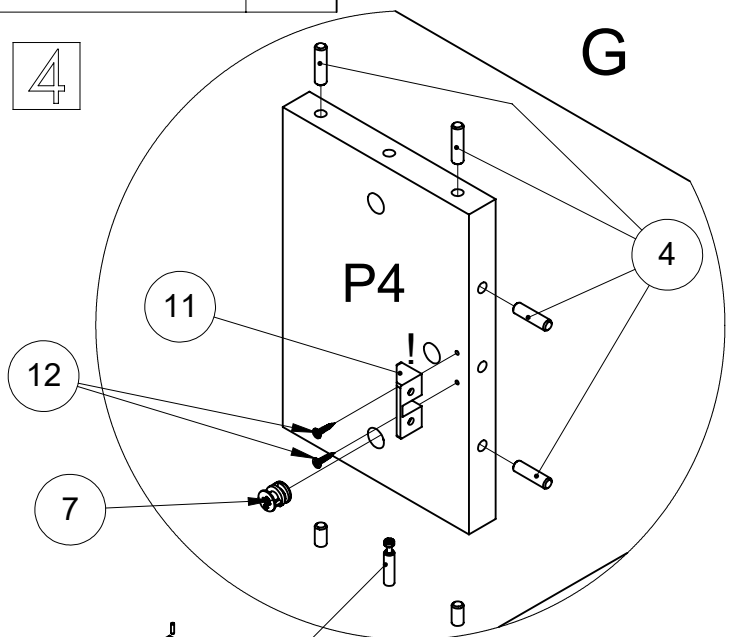
P6, P8, P11 should be placed on the top of the plinthus



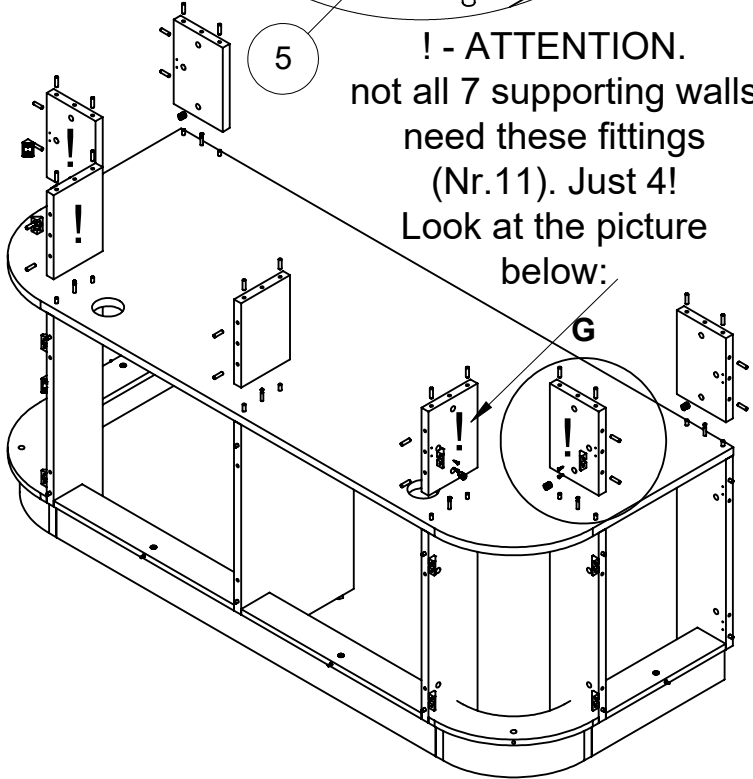
ATTENTION! 7 AND 8 ARE DIFFERENT.

4

G



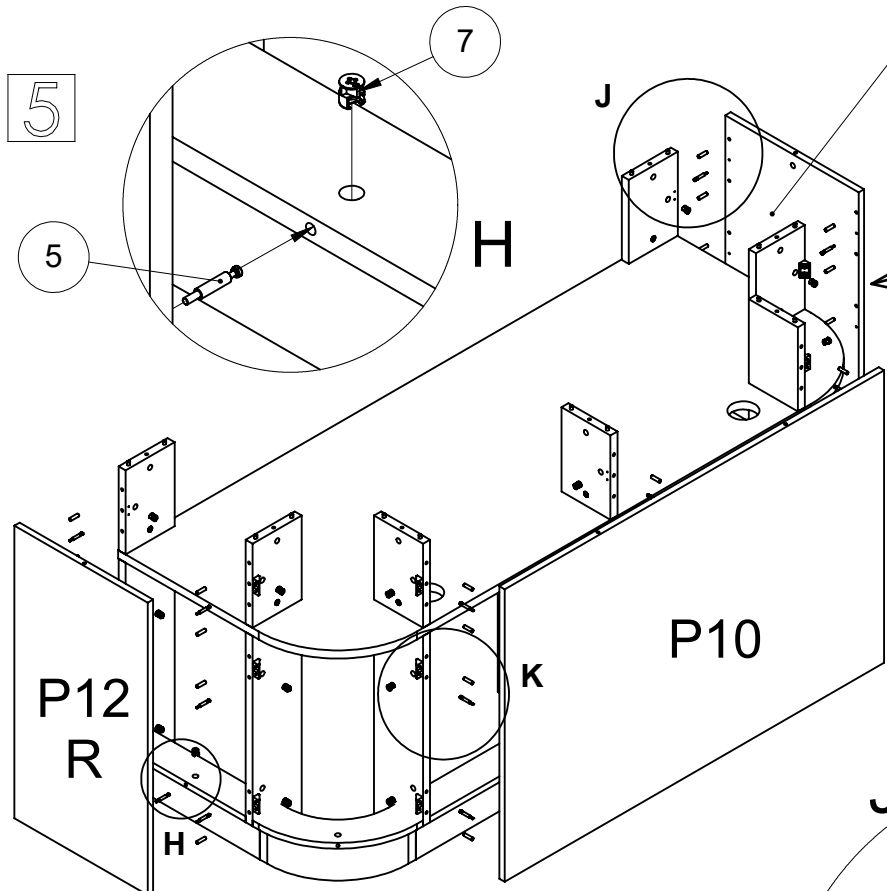
**! - ATTENTION.**  
 not all 7 supporting walls  
 need these fittings  
 (Nr.11). Just 4!  
 Look at the picture  
 below:



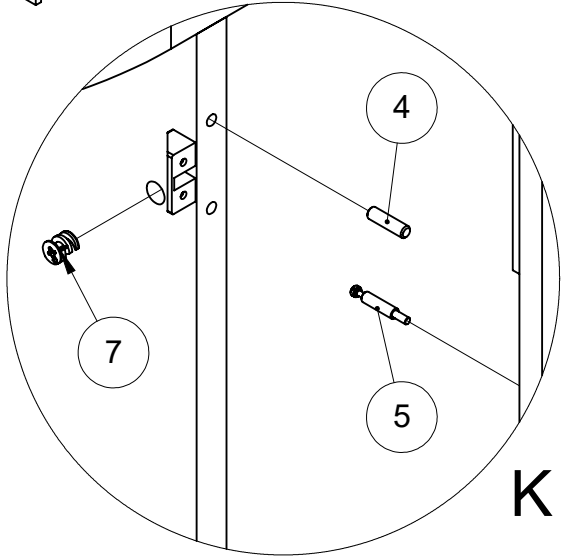
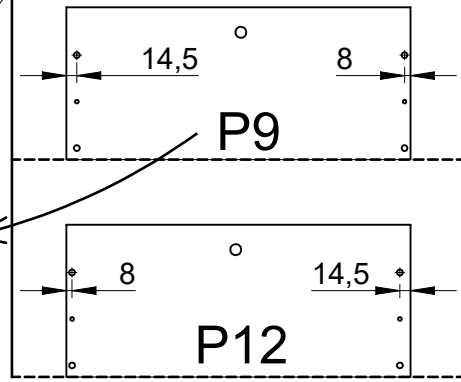
5

7

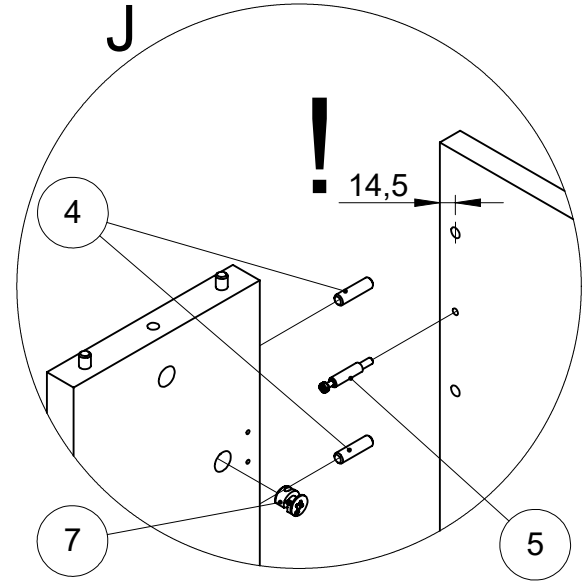
J



**P9 L: ! - ATTENTION**



K



**!**

14,5

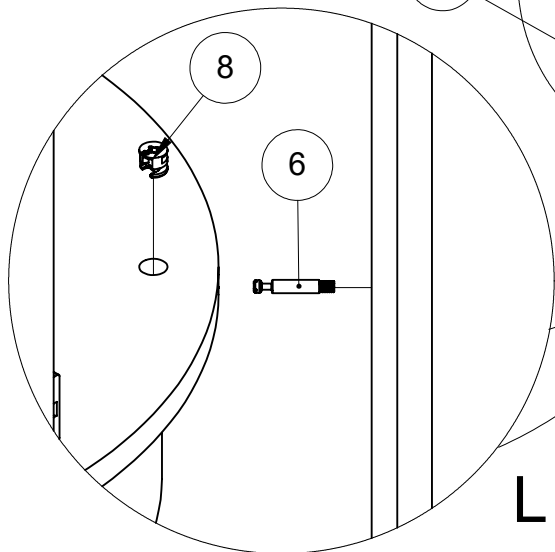
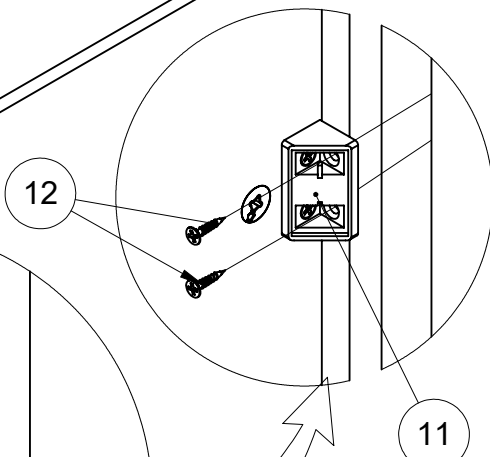
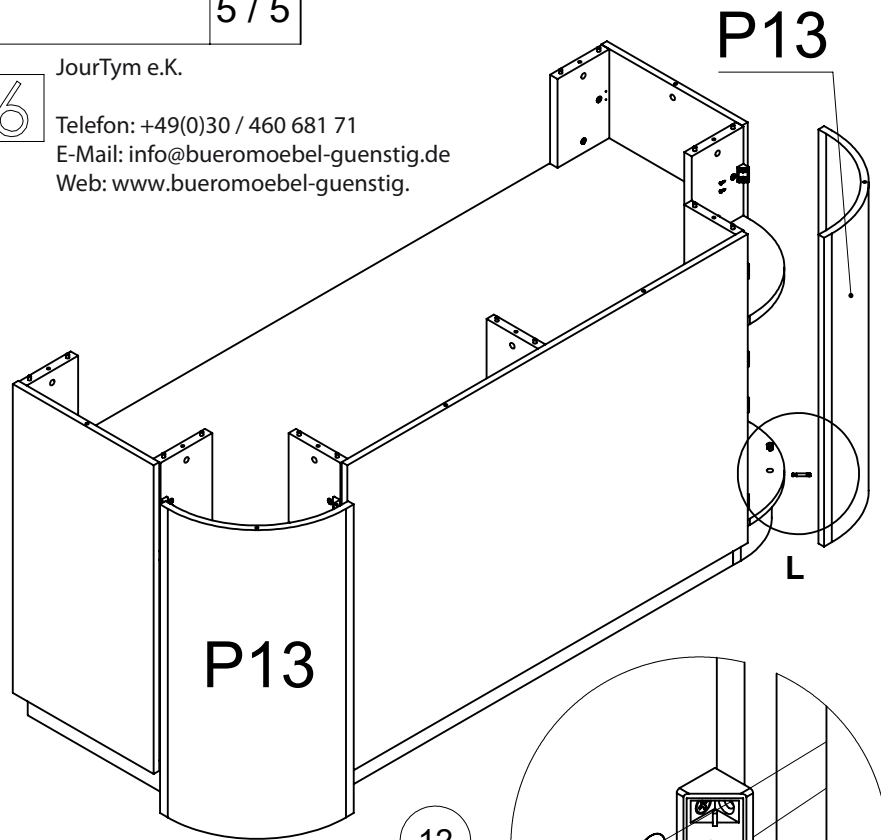


JourTym e.K.

Telefon: +49(0)30 / 460 681 71

E-Mail: info@bueromoebel-guenstig.de

Web: www.bueromoebel-guenstig.



P13

P13

12

8

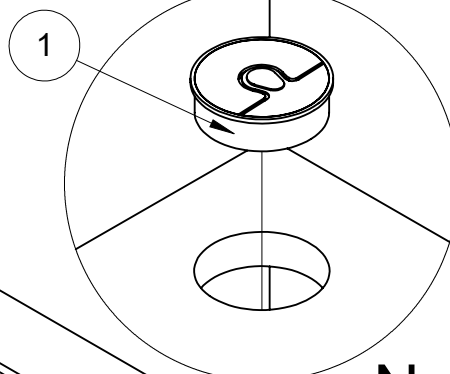
6

11

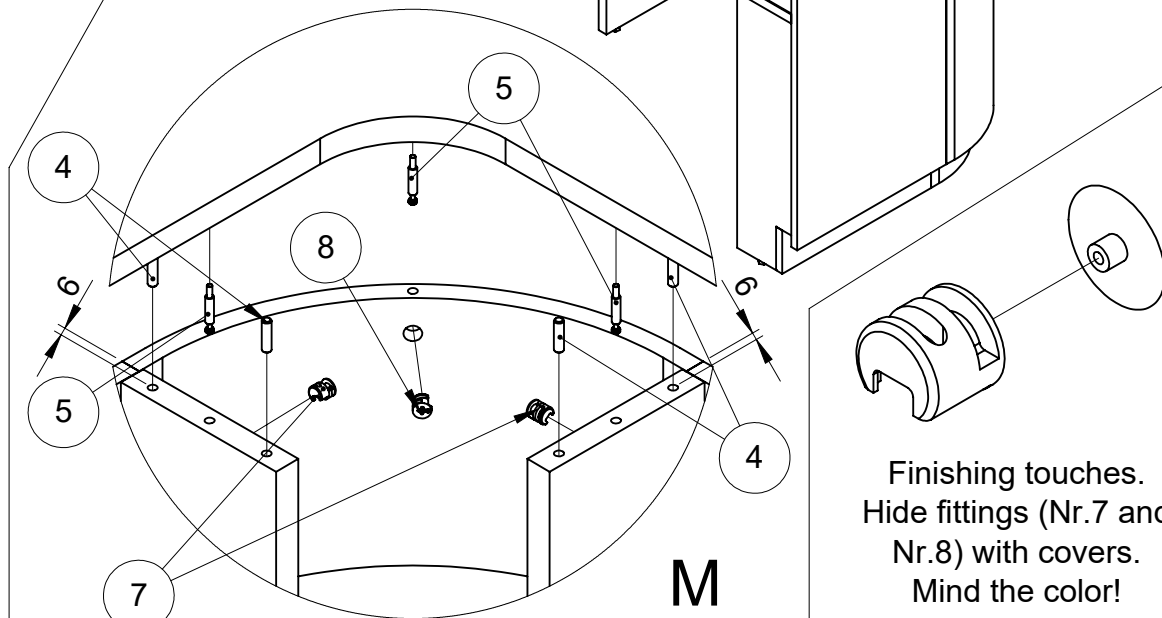
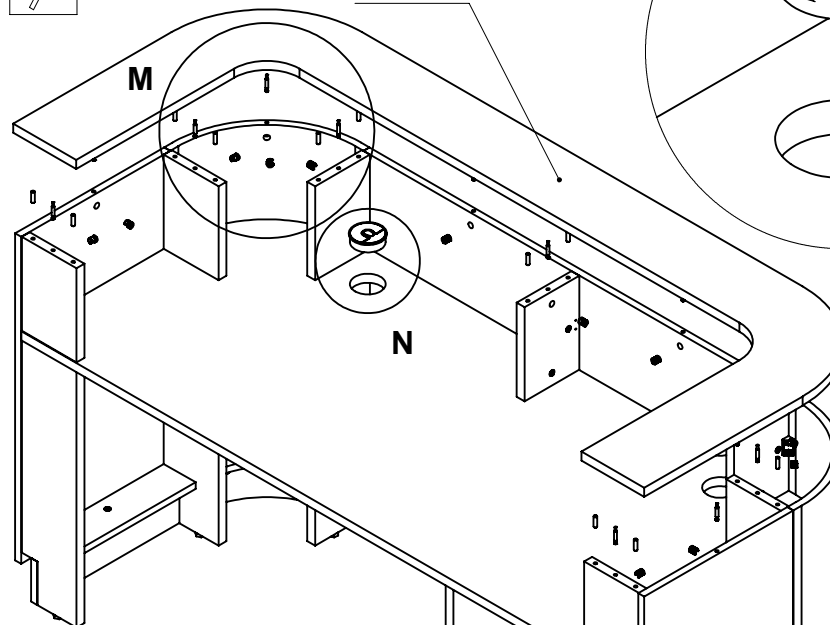
L



P14



N



4

5

8

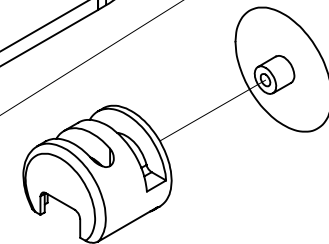
5

6

4

7

M



Finishing touches.  
Hide fittings (Nr.7 and  
Nr.8) with covers.  
Mind the color!